

BALDOR® • RELIANCE 

Product Information Packet

RL1323A

.5HP, 1725RPM, 1PH, 60HZ, 56, 3416L, OPEN, F1

Part Detail							
Revision:	AA	Status:	PRD/A	Change #:		Proprietary:	No
Type:	AC	Elec. Spec:	34WGW140	CD Diagram:	CD0052	Mfg Plant:	
Mech. Spec:	34K018	Layout:	34LYK018	Poles:	04	Created Date:	
Base:	RS	Eff. Date:	10-12-2019	Leads:	6#18,1#16 #1TH		

Specs			
Catalog Number:	RL1323A	Inverter Code:	Not Inverter
Enclosure:	OPEN	KVA Code:	J
Frame:	56	Lifting Lugs:	No Lifting Lugs
Frame Material:	Steel	Locked Bearing Indicator:	No Locked Bearing
Output @ Frequency:	.500 HP @ 60 HZ	Motor Lead Quantity/Wire Size:	6 @ 18 AWG
Synchronous Speed @ Frequency:	1800 RPM @ 60 HZ	Motor Lead Exit:	Terminal Panel
Voltage @ Frequency:	115.0 V @ 60 HZ	Motor Lead Termination:	Flying Leads
	230.0 V @ 60 HZ	Motor Type:	3416L
XP Class and Group:	None	Mounting Arrangement:	F1
XP Division:	Not Applicable	Power Factor:	71
Agency Approvals:	UR	Product Family:	General Purpose
	CSA	Pulley End Bearing Type:	Ball
Auxillary Box:	No Auxillary Box	Pulley Face Code:	Resilient Mount
Auxillary Box Lead Termination:	None	Pulley Shaft Indicator:	Standard
Base Indicator:	Resilient	Rodent Screen:	None
Bearing Grease Type:	Polyrex EM (-20F +300F)	Shaft Extension Location:	Pulley End
Blower:	None	Shaft Ground Indicator:	No Shaft Grounding
Current @ Voltage:	4.000 A @ 230.0 V	Shaft Rotation:	Reversible: Connected Standard

	8.000 A @ 115.0 V	Shaft Slinger Indicator:	No Slinger
Design Code:	N	Speed Code:	Single Speed
Drip Cover:	No Drip Cover	Motor Standards:	NEMA
Duty Rating:	CONT	Starting Method:	Direct on line
Electrically Isolated Bearing:	Not Electrically Isolated	Thermal Device - Bearing:	None
Feedback Device:	NO FEEDBACK	Thermal Device - Winding:	None
Front Face Code:	Resilient Mount	Vibration Sensor Indicator:	No Vibration Sensor
Front Shaft Indicator:	None	Winding Thermal 1:	Automatic Thermal Overload
Heater Indicator:	No Heater	Winding Thermal 1 Location:	SB
Insulation Class:	B	Winding Thermal 2:	None

Nameplate NP1257L	
CAT.NO.	RL1323A
SPEC.	34K18W140
HP	.5
VOLTS	115/230
AMP	8/4
RPM	1725
FRAME	56
HZ	60
PH	1
SER.F.	1.00
CODE	J
DES	N
CL	B
NEMA-NOM-EFF	62
PF	71
RATING	40C AMB-CONT
CC	USABLE AT 208V
DE	6203
ODE	6203
ENCL	OPEN
SN	

Parts List		
Part Number	Description	Quantity
SA008109	SA 34K18W140	1.000 EA
RA004556	RA 34K18W140	1.000 EA
EC1189A02SP	61B2D120189NNBA ELEC CAP, 189-227MFD, 12	1.000 EA
34CB4501SP	TERMINAL BOX LID, STAMPED X (PLATED)	1.000 EA
51XW0832A07	8-32 X .44, TAPTITE II, HEX WSHR SLTD SE	2.000 EA
11XW0832G06	#8-32 X 3/8, TAPTITE II, HEX WSHR SLTD	1.000 EA
LD5000A52	LEAD ASSY W/INTERNAL STAR RING TERMINALS	1.000 EA
11XT1032A06	10-32 X 3/8 HX WSHR HD SLTD TYPE 23	2.000 EA
51XW0832A07	8-32 X .44, TAPTITE II, HEX WSHR SLTD SE	3.000 EA
34EP3202A01	FR ENDPLATE, MACH	1.000 EA
RM1000A03	CUSHION RING, MDL 17-33-34	1.000 EA
HA6004A01A	CLAMP CUSHION RING ASSY	1.000 EA
WD4100A01	DP-875 HEYCO PLUG OR 62MP0875 MICRO PLAS	1.000 EA
RM1000A03	CUSHION RING, MDL 17-33-34	1.000 EA
HA6004A01A	CLAMP CUSHION RING ASSY	1.000 EA
NS2500A01	INSULATOR, AUTO THER PROT	1.000 EA
34CB4800SP	CAPACITOR COVER, STAMPED PRIMED	1.000 EA
51XB1016A05	10-16X5/16HX WA SL SR TYB (F/S)	2.000 EA
WD1000A16	2-520128-2 AMP FLAG TERMINAL(4M/RL)	6.000 EA
HW5100A03	WAVY WASHER (W1543-017)	1.000 EA
34EP3203A01	PU ENDPLATE, MACH	1.000 EA
XY1032A02	10-32 HEX NUT DIRECTIONAL SERRATION	4.000 EA
HW2501D13	KEY, 3/16 SQ X 1.375	1.000 EA
HA7000A04	KEY RETAINER 0.625 DIA SHAFTS	1.000 EA

Parts List (continued)		
Part Number	Description	Quantity
MG1000G27	MED CHARCOAL METALLIC GREY 400-0096	0.014 GA
85XU0407S04	4X1/4 U DRIVE PIN STAINLESS	2.000 EA
34BA4003A01SP	RESILIENT BASE, (LENGTH 8.22")	1.000 EA
SP5068A01	34L TERM PANEL STAT SWITCH #E-6"	1.000 EA
HA3100A12	THRUBOLT 10-32 X 7.375	4.000 EA
LB1118	LABEL,WARNING (ROLL LABEL)	1.000 EA
LC0052	CONNECTION LABEL	1.000 EA
NP1257L	ALUM UL CSA CC THERMAL REV MTG	1.000 EA
34PA1002	PKG GRP, PRINT PK1001A01	1.000 EA
MN416A01	TAG-INSTAL-MAINT no wire (1200/bx) 3/19	1.000 EA

AC Induction Motor Performance Data
Record # 6896 - Typical performance - not guaranteed values

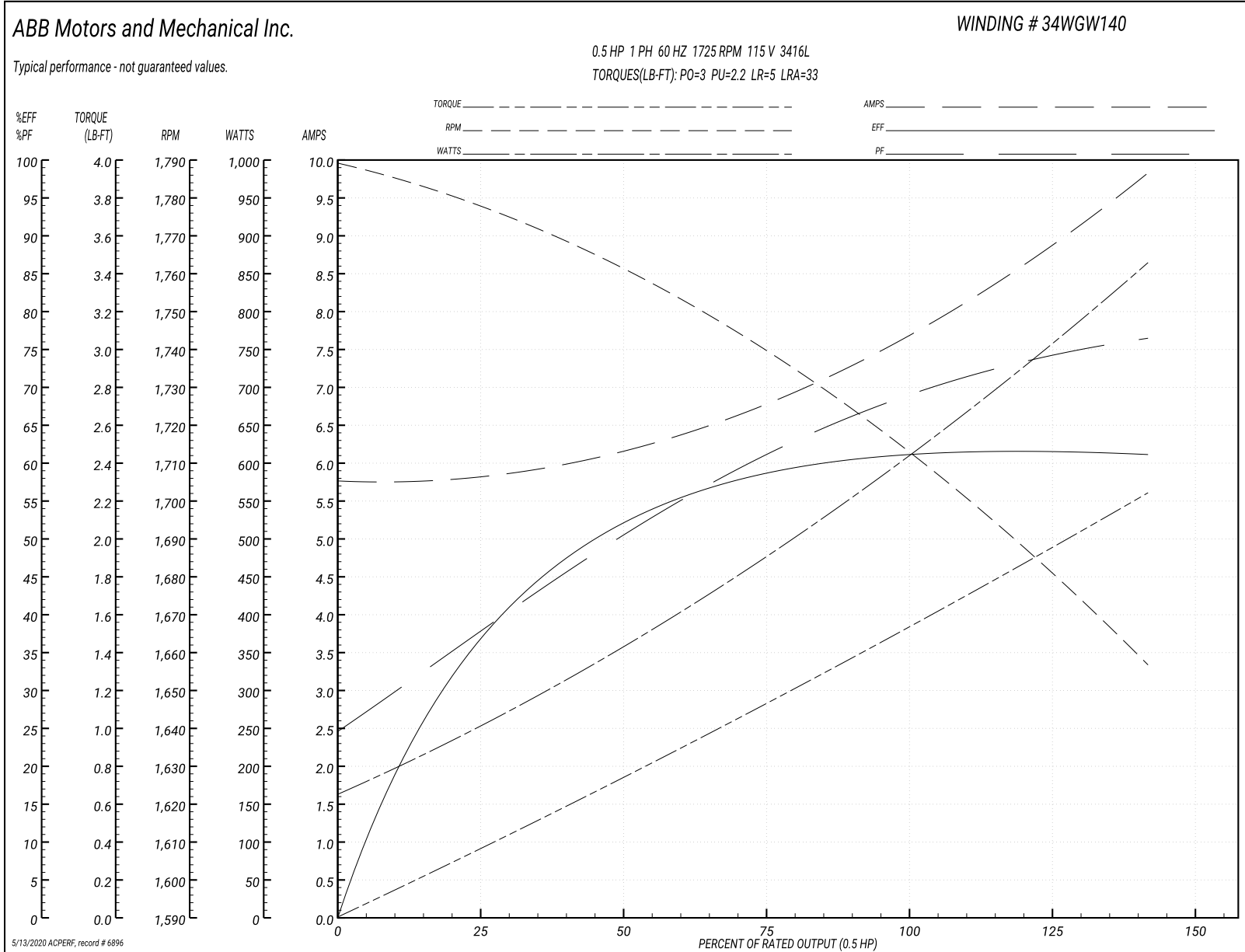
Winding: 34WGW140-R001	Type: 3416L	Enclosure: OPEN
-------------------------------	--------------------	------------------------

Nameplate Data				115 V, 60 Hz: Low Voltage Connection	
Rated Output (HP)	.5			Full Load Torque	1.5 LB-FT
Volts	115/230			Start Configuration	direct on line
Full Load Amps	8/4			Breakdown Torque	3 LB-FT
R.P.M.	1725			Pull-up Torque	2.2 LB-FT
Hz	60	Phase	1	Locked-rotor Torque	5 LB-FT
NEMA Design Code	N	KVA Code	J	Starting Current	33 A
Service Factor (S.F.)	1			No-load Current	5.7 A
NEMA Nom. Eff.	62	Power Factor	71	Line-line Res. @ 25°C	1.42 Ω A Ph 3.46 Ω B Ph
Rating - Duty	40C AMB-CONT			Temp. Rise @ Rated Load	64°C

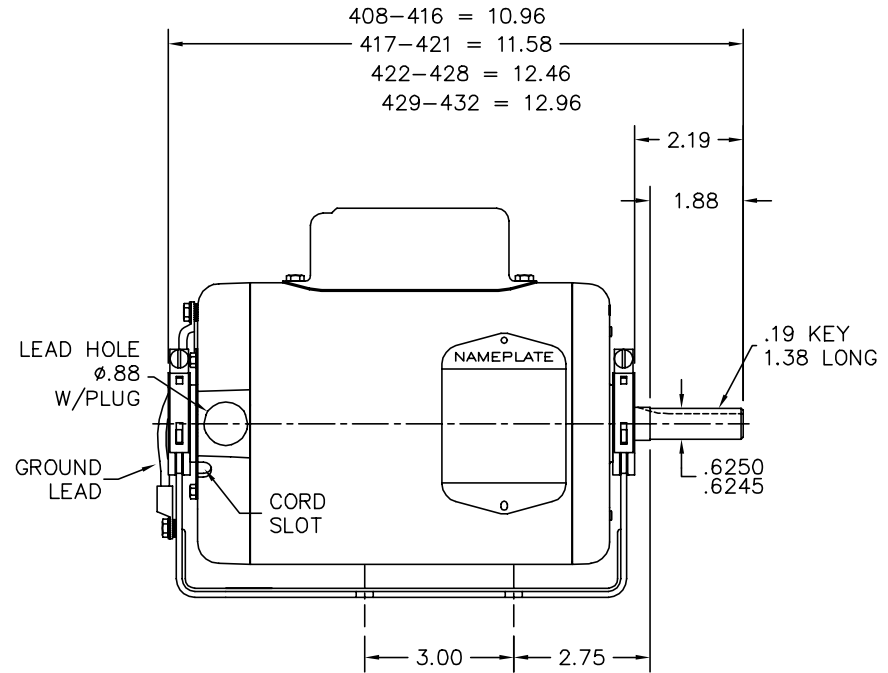
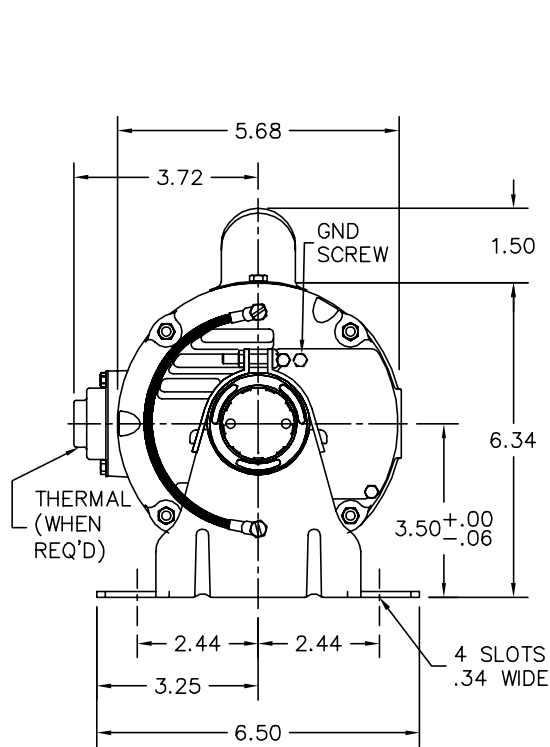
Load Characteristics 115 V, 60 Hz, 0.5 HP

% of Rated Load	25	50	75	100	125	150
Power Factor	38	51	61	70	76	81
Efficiency	36.2	51.4	58.6	61.7	62.2	60.6
Speed	1776	1759	1740	1717	1690	1654
Line amperes	5.9	6.2	6.8	7.5	8.6	9.9

Performance Graph at 115V, 60Hz, 0.5HP Typical performance - Not guaranteed values



34LYK018



CUSTOMER IS RESPONSIBLE FOR DETERMINING THAT BALDOR'S PRODUCT WILL PERFORM SUITABLY IN THE INTENDED APPLICATION.

REV. DESC: UPDATED LAYOUT

REV. LTR: C	VERSION: 01	TDR: 000000789644
FILE: \AAA\00012\624	REVISED: 03:25:52 03/19/2013	
MTL: -	BY: ENBENBO	

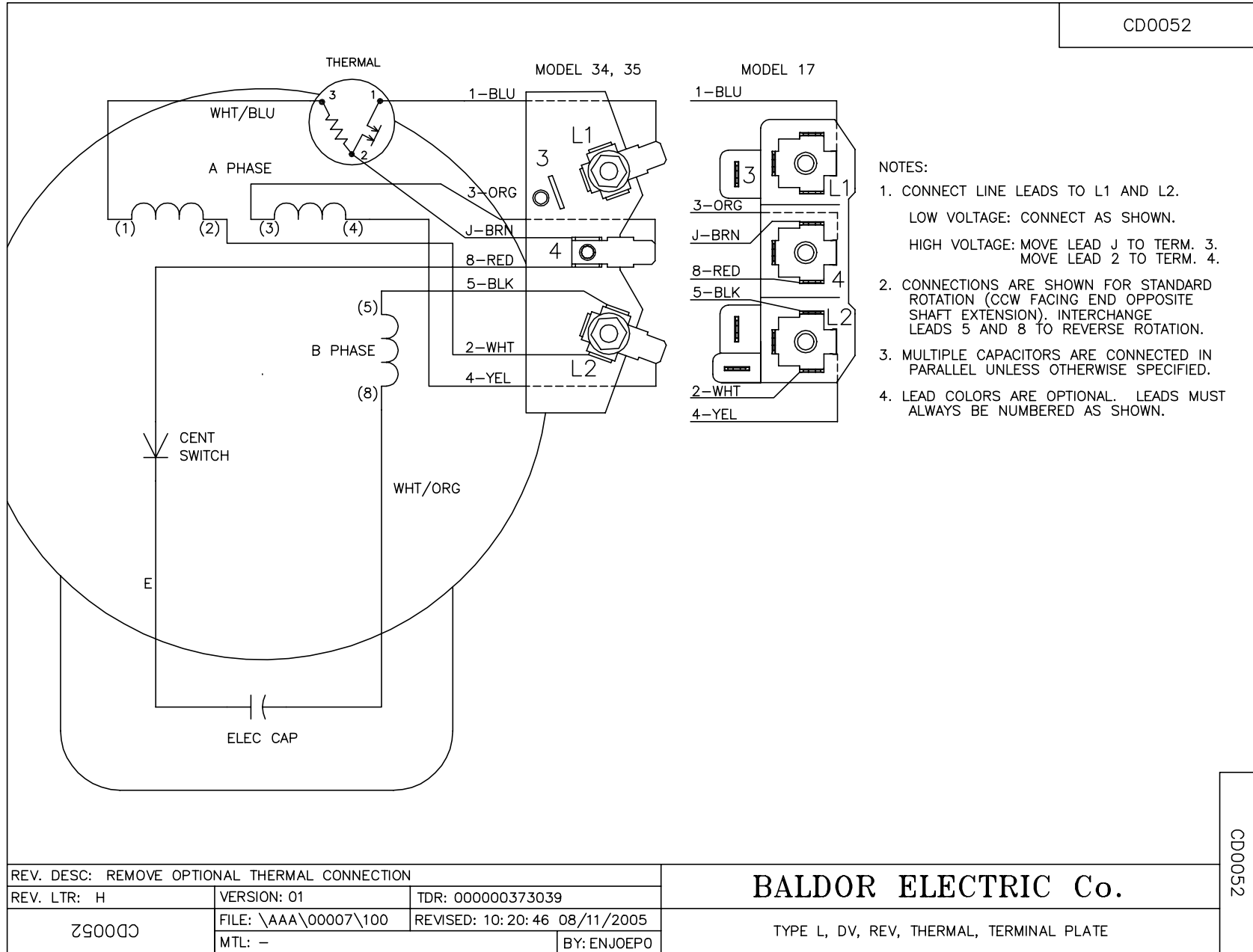
BALDOR

STD RESIL MTD 34L NEMA 56 OPEN W/TERM PLATE

SH 1 of 1

34LYK018

CD0052



CD0052

REV. DESC: REMOVE OPTIONAL THERMAL CONNECTION		
REV. LTR: H	VERSION: 01	TDR: 000000373039
Z90052	FILE: \AAA\00007\100	REVISED: 10:20:46 08/11/2005
	MTL: -	BY: ENJOEPO

BALDOR ELECTRIC Co.

TYPE L, DV, REV, THERMAL, TERMINAL PLATE